

# PHILIPS

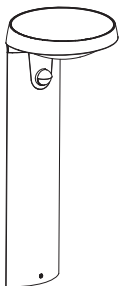
9290032600

9290032602

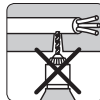
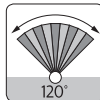
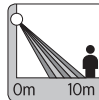
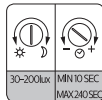
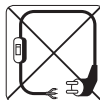
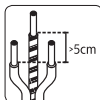
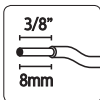
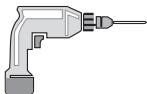


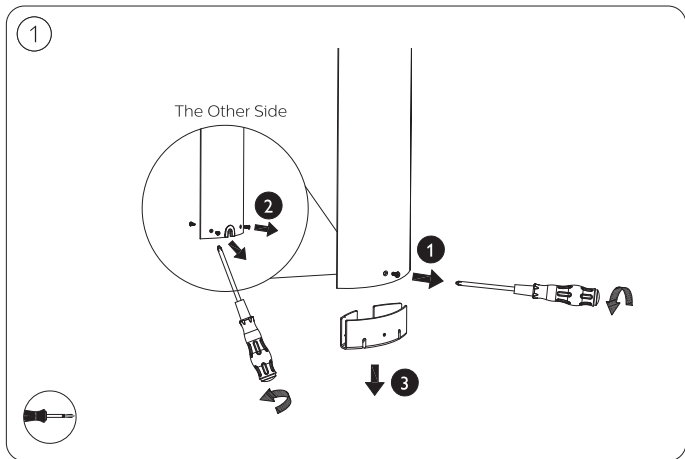
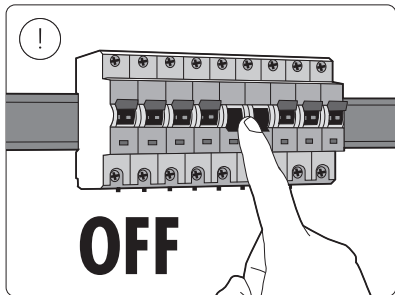
User manual  
Benutzerhandbuch  
Notice d'emploi  
Manual de usuario  
Manual do usuário  
Manuale d'uso  
Gebruiksaanwijzing

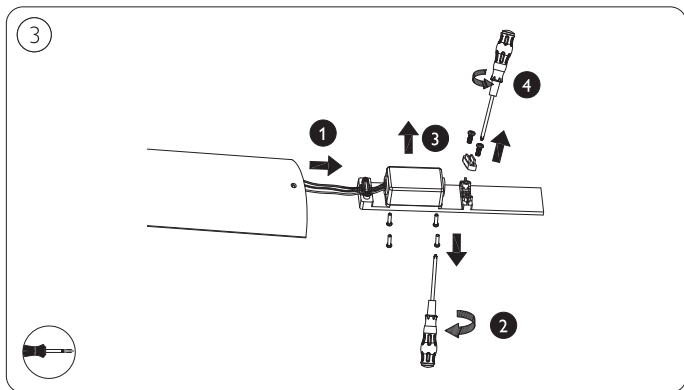
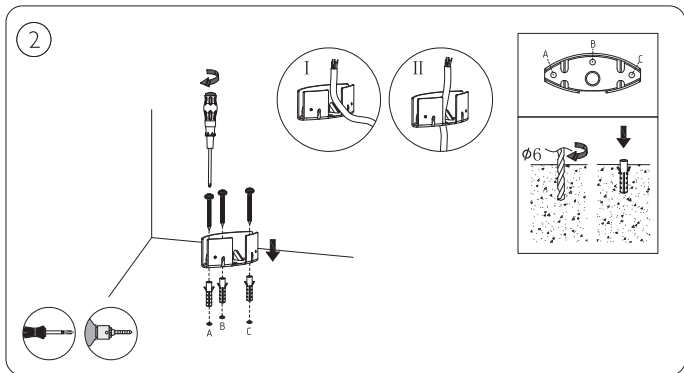
Incl.

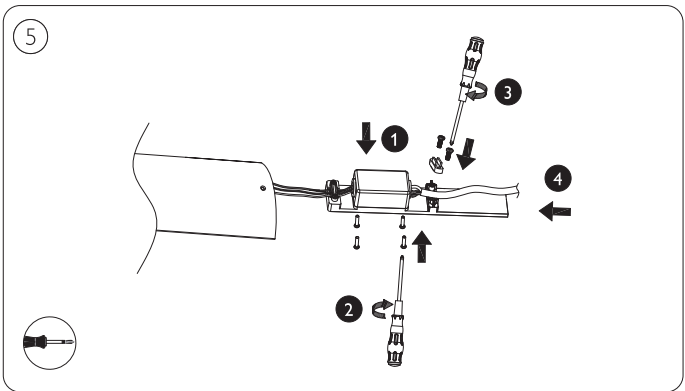
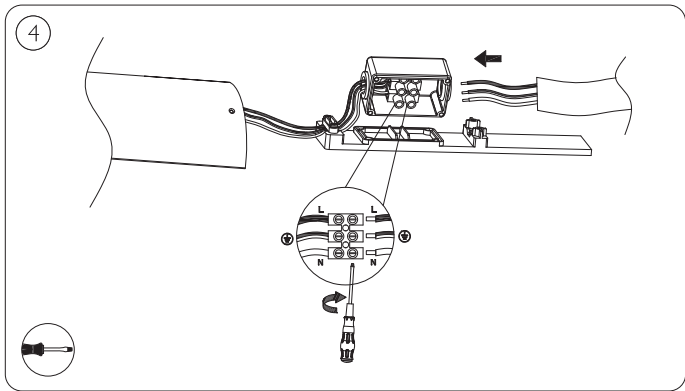


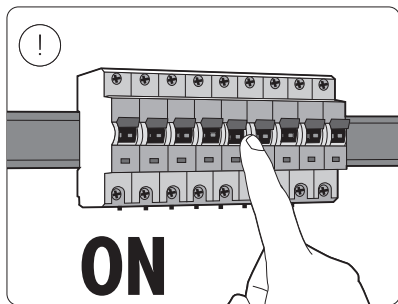
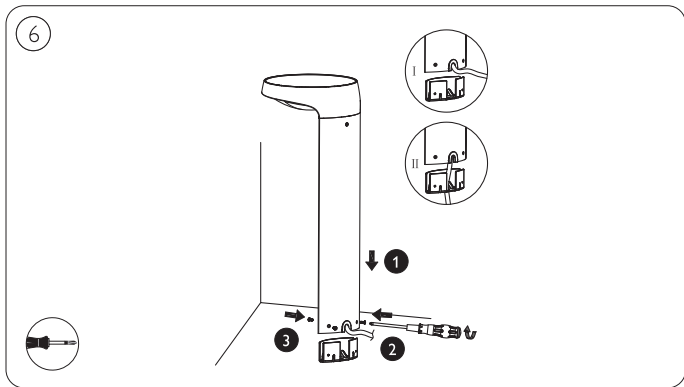
Excl.



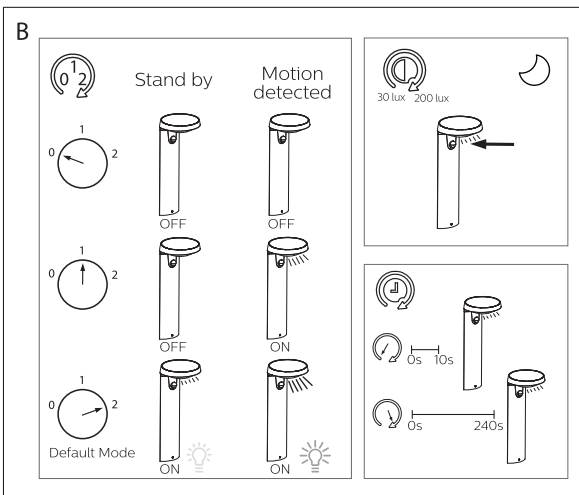
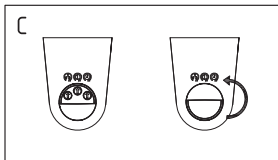
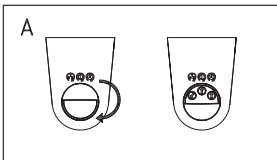








7





Signify Commercial UK Limited  
Unit 3, Guildford Business Park,  
Guildford, Surrey, GU2 8XG, UK

Signify  
I.B.R.S. / C.C.R.I. Numéro 10461  
5600 VB Eindhoven, the Netherlands  
00800-74454775

Philips and the Philips Shield Emblem  
are registered trademarks of Koninklijke  
Philips N.V. and are used under license.

[www.philips.com/lighting](http://www.philips.com/lighting)

© 2022 Signify Holding  
©signify

3241 659 63192